

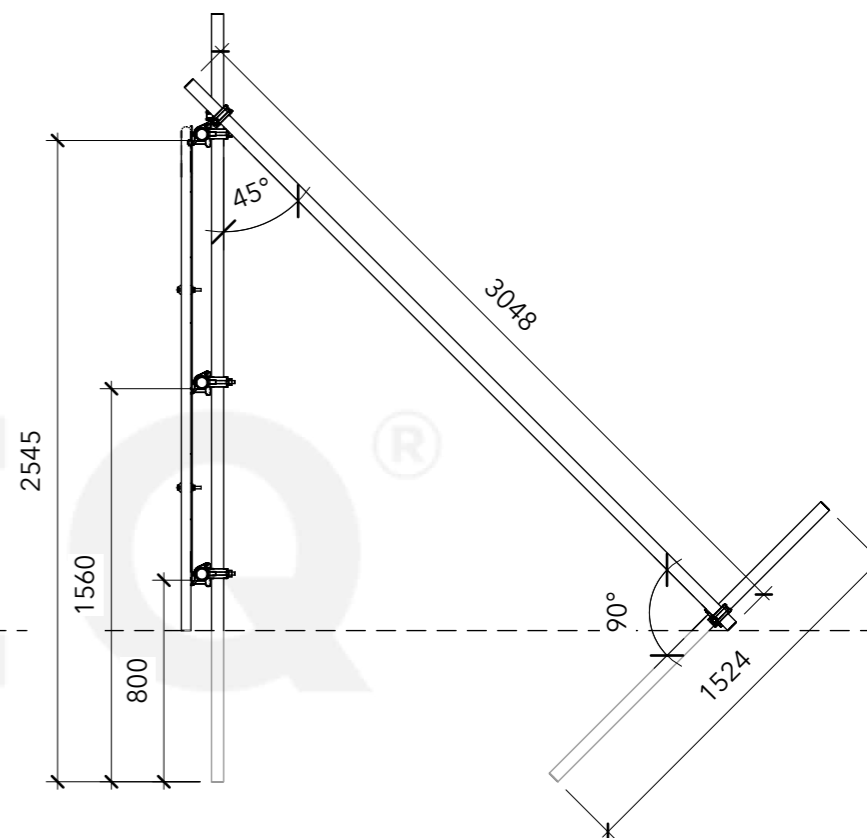
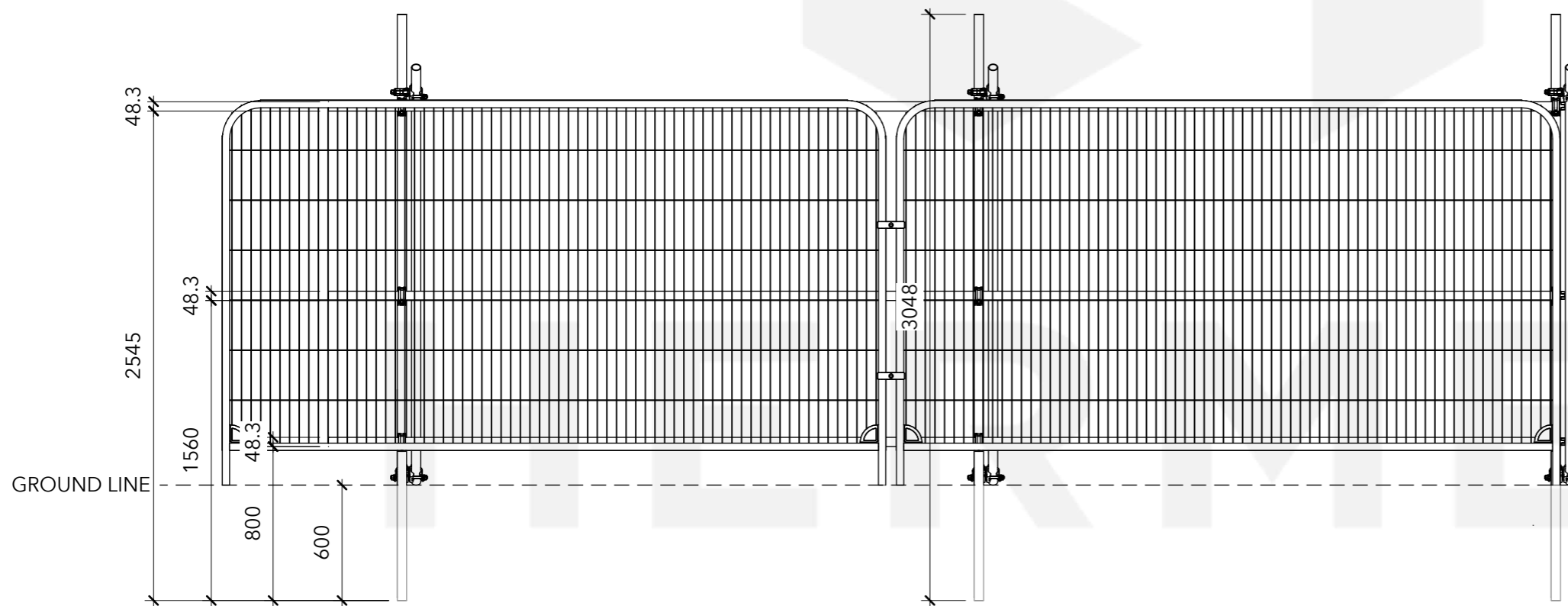
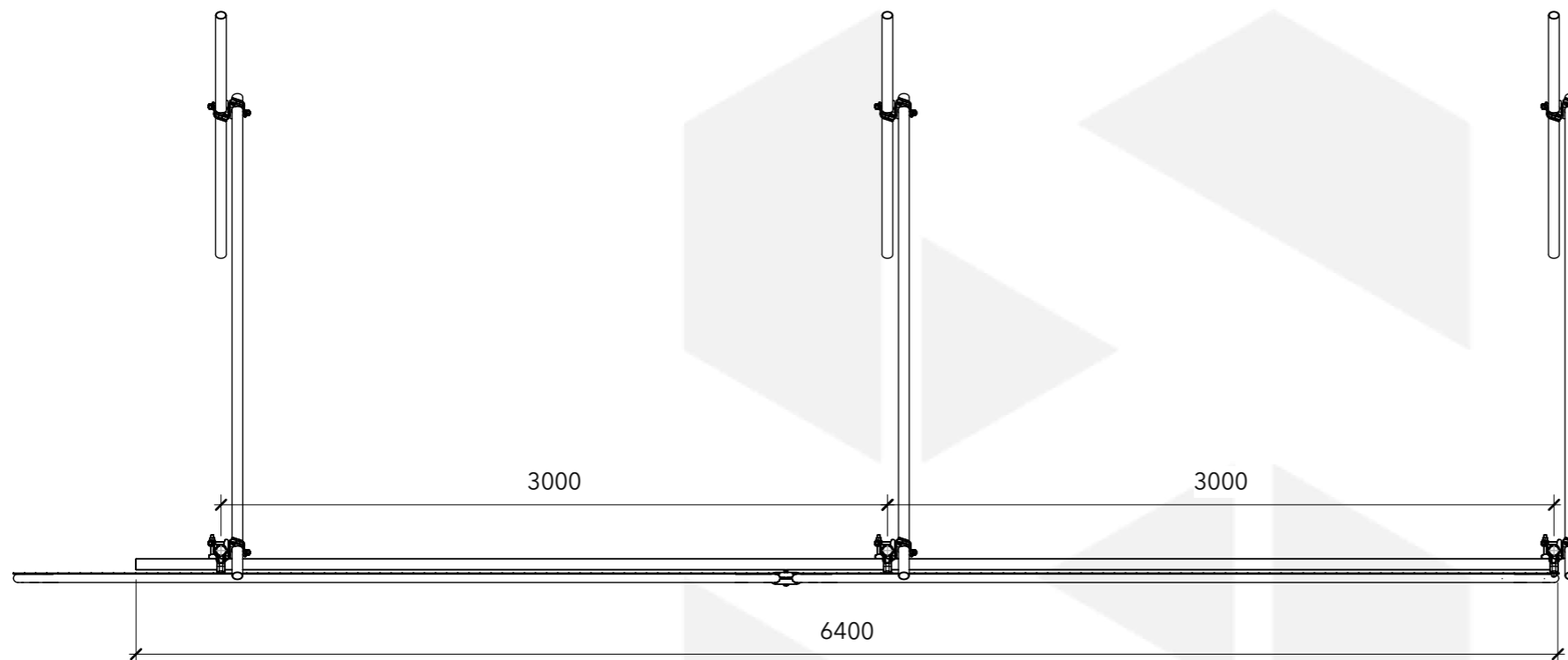
General Comments

See Our Associated Products:

- [Tree Protection Fencing - Heras & Stabiliser](#)
- [Anti-Climb Mesh Fence Panel](#)
- [Rapid Deployment Fencing](#)
- [Temporary Swing Gate](#)

Materials

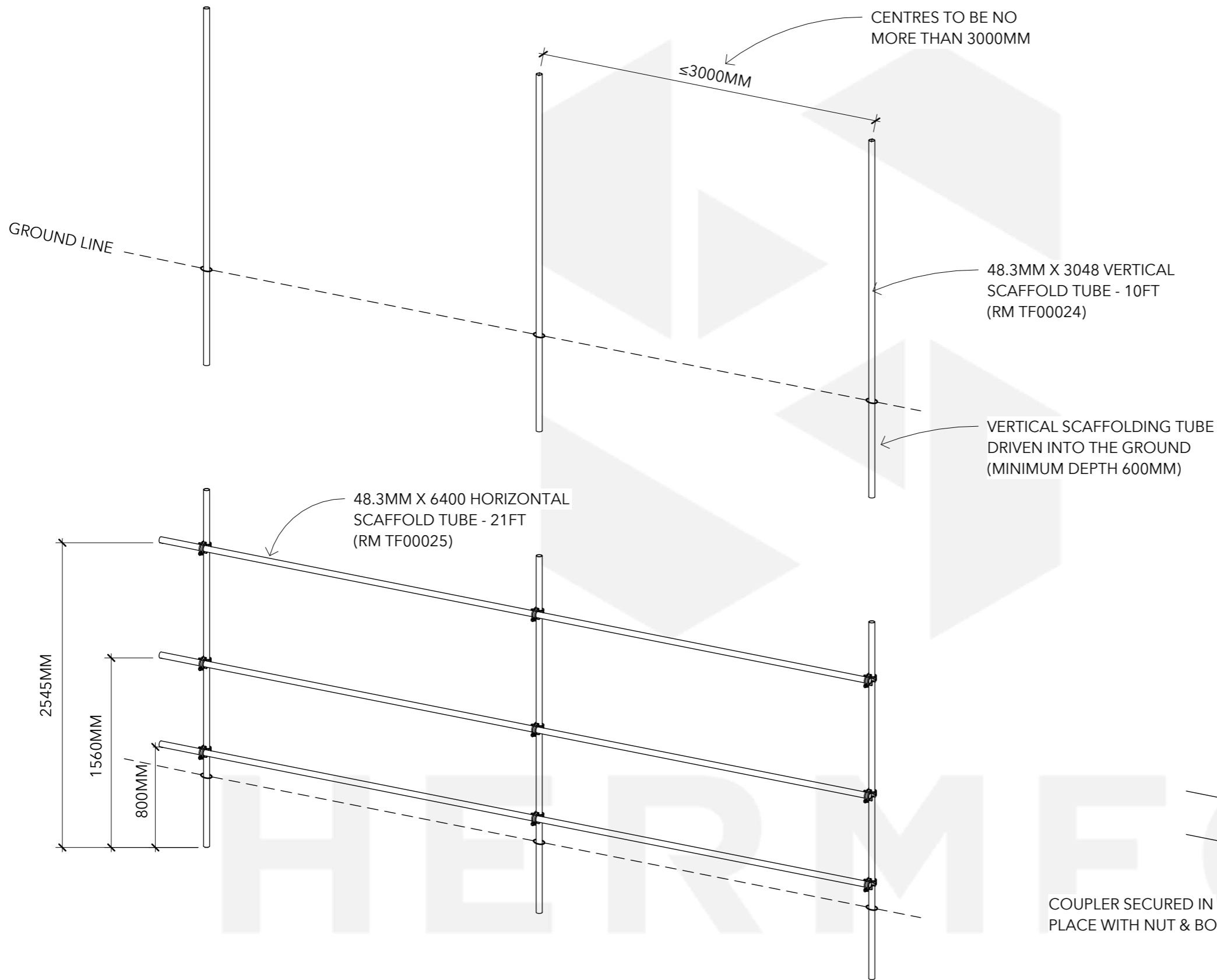
Galvanised Steel



No.	Description	Date

Item	Component Description	Quantity
RM TF00024	G3.2MM - Ø48.3MM X 3048MM VERTICAL SCAFFOLD TUBE - 10FT	3
RM TF00025	G3.2MM - Ø48.3MM X 6400MM HORIZONTAL SCAFFOLD TUBE - 21FT	3
RM TF00026	DOUBLE COUPLER	9
RM TF00027	SWIVEL COUPLER	6
RM TF00028	G3.2MM - Ø48.3MM X 3048MM DIAGONAL SCAFFOLD TUBE - 10FT	3
LIST CONTINUES ON NEXT PAGE		

TREE PROTECTION FENCING - SCAFFOLDING TUBE			
Weight	N/A	Serial Number	Revision
Date	19/10/2023	TF615520	
Drawn by	JT		
Checked by	Checker	Scale	1 : 30 @A3

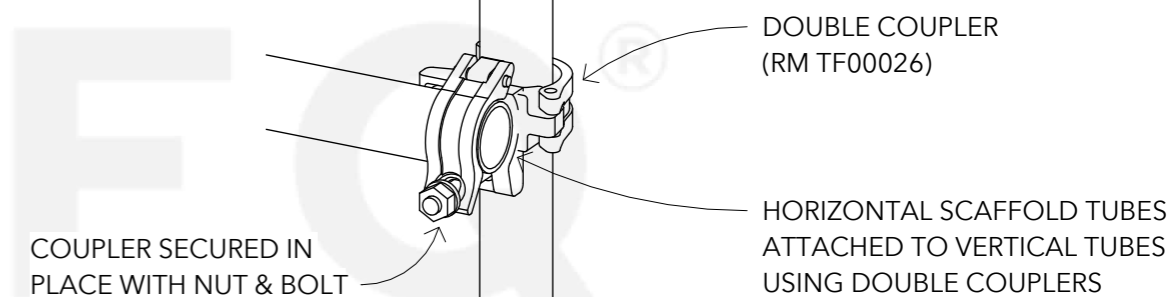


General Comments

See Our Associated Products:
[Tree Protection Fencing - Heras & Stabiliser](#)
[Anti-Climb Mesh Fence Panel](#)
[Rapid Deployment Fencing](#)
[Temporary Swing Gate](#)

Materials

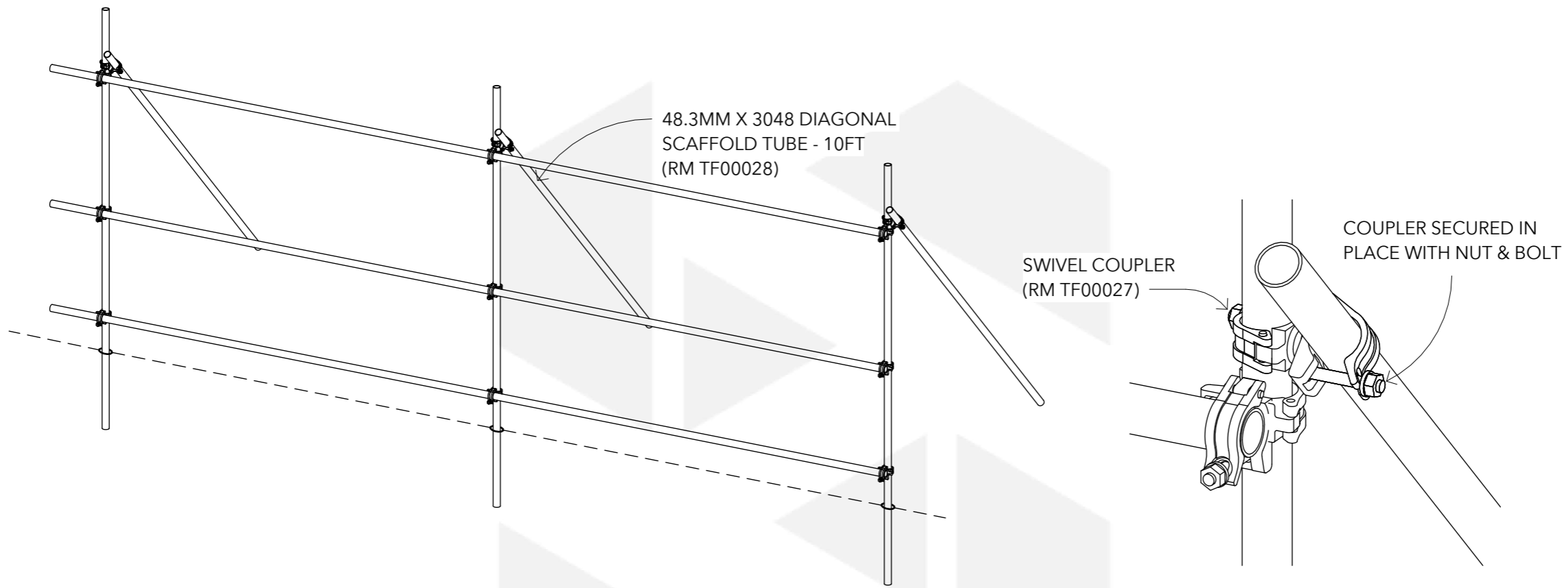
Galvanised Steel



No.	Description	Date

Item	Component Description	Quantity
RM TF00029	G3.2MM - Ø48.3MM X 1524MM DIAGONAL SCAFFOLD TUBE - 5FT	3
TF2504	ANTI-CLIMB MESH FENCE PANEL	2
A105529	GRIPPER COUPLER	2
MP2299	HEAVY DUTY CABLE TIES - PACK OF 100	1
	END OF LIST	

TREE PROTECTION FENCING - SCAFFOLDING TUBE - INSTALL GUIDE			
Weight	N/A	Serial Number	Revision
Date	19/10/2023	TF615520 -	
Drawn by	JT	INSTALL A	
Checked by	Checker	Scale	@A3



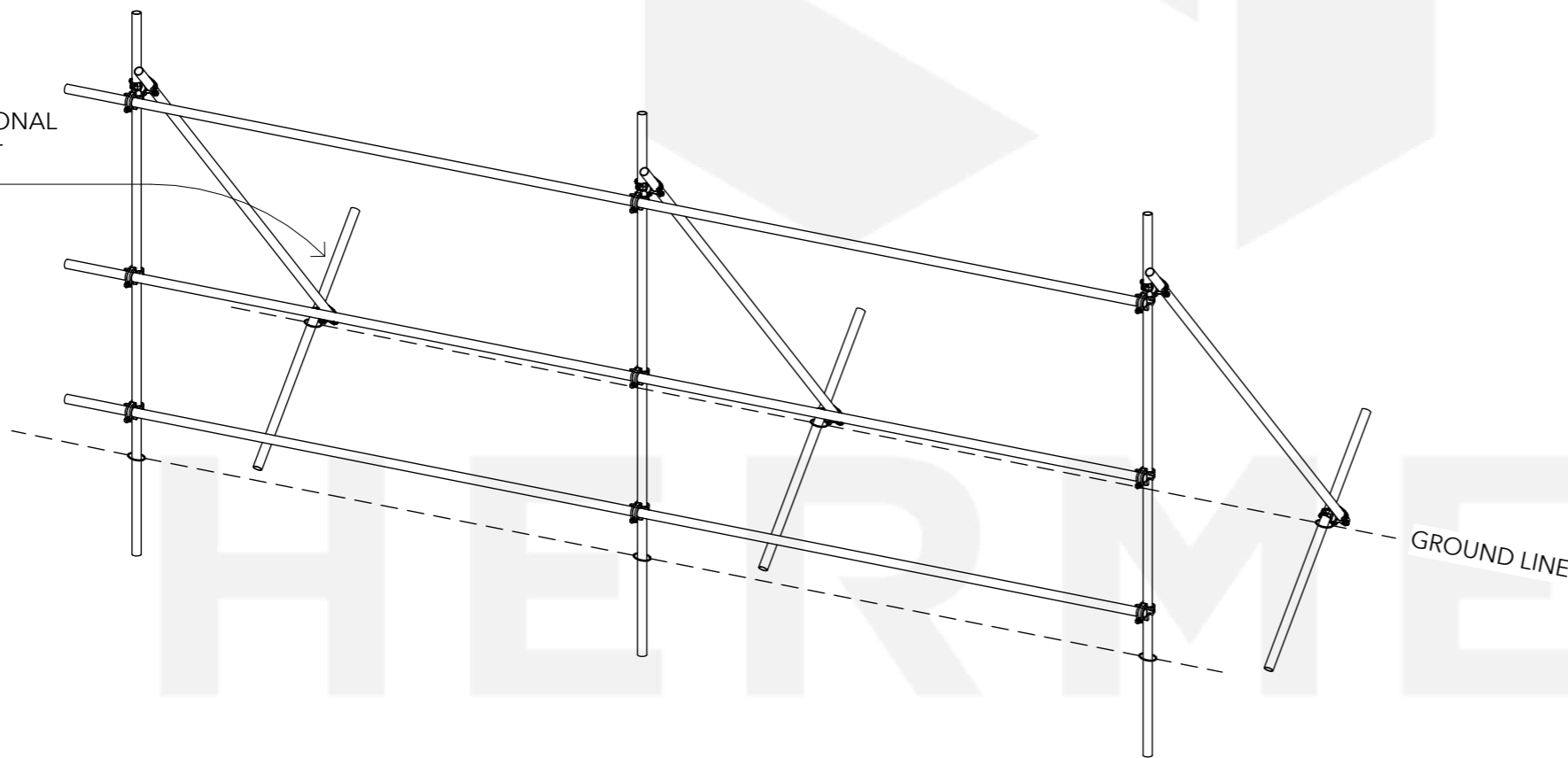
General Comments

See Our Associated Products:
[Tree Protection Fencing - Heras & Stabiliser](#)
[Anti-Climb Mesh Fence Panel](#)
[Rapid Deployment Fencing](#)
[Temporary Swing Gate](#)

Materials

Galvanised Steel

48.3MM X 1524 DIAGONAL SCAFFOLD TUBE - 5FT (RM TF00029)



VERTICAL 10FT SCAFFOLD TUBES ATTACHED TO VERTICAL 5FT SCAFFOLD TUBES USING SWIVEL COUPLERS

COUPLER SECURED IN PLACE WITH NUT & BOLT



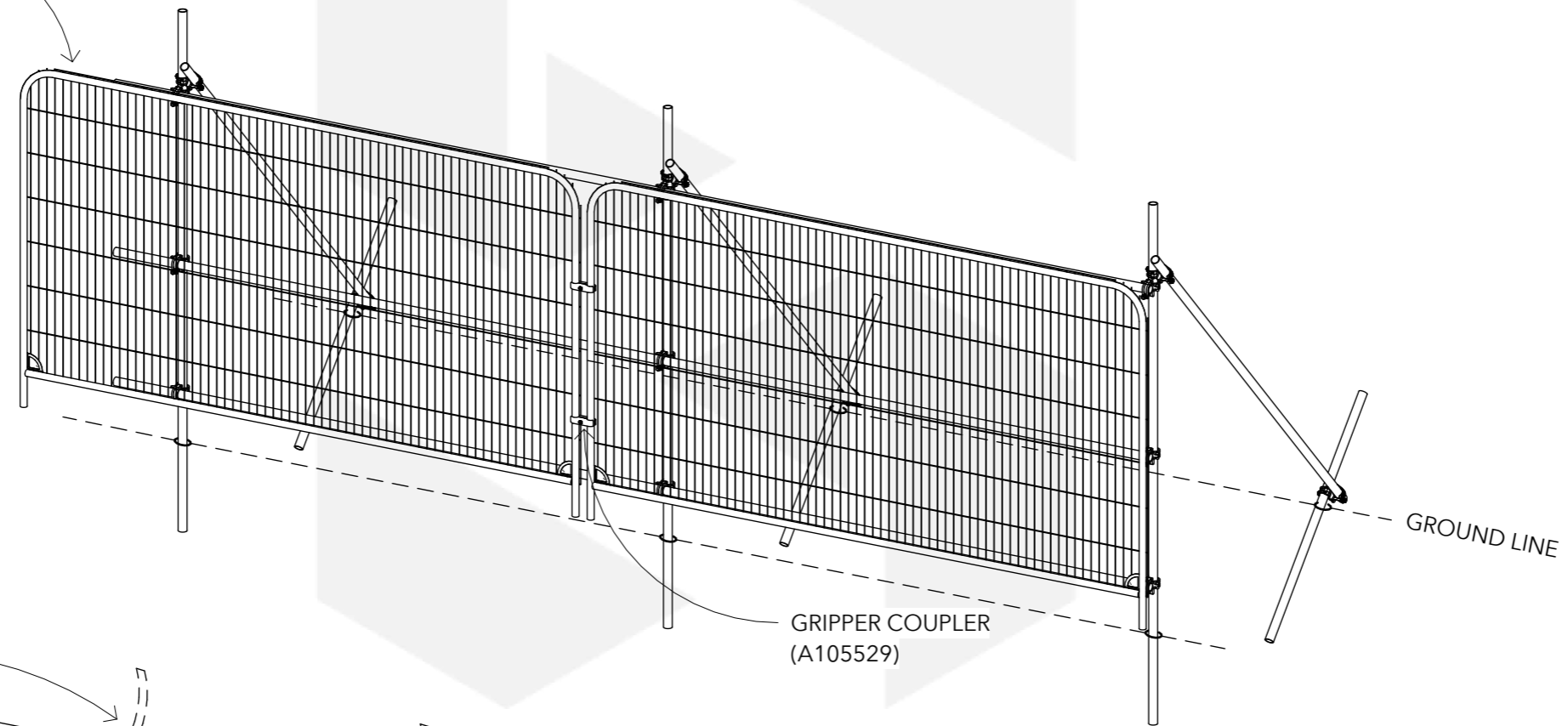
Email: sales@hermeq.com

No.	Description	Date

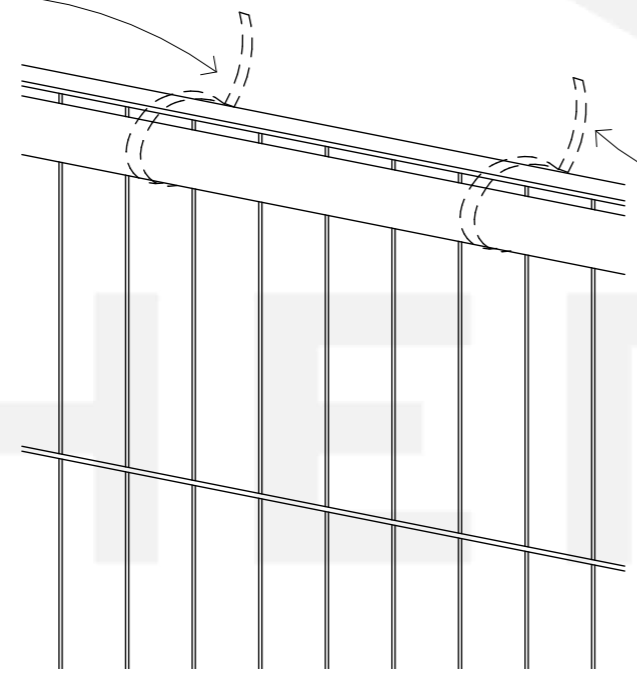
Item	Component Description	Quantity
RM TF00024	G3.2MM - Ø48.3MM X 3048MM VERTICAL SCAFFOLD TUBE - 10FT	3
RM TF00025	G3.2MM - Ø48.3MM X 6400MM HORIZONTAL SCAFFOLD TUBE - 21FT	3
RM TF00026	DOUBLE COUPLER	9
RM TF00027	SWIVEL COUPLER	6
RM TF00028	G3.2MM - Ø48.3MM X 3048MM DIAGONAL SCAFFOLD TUBE - 10FT	3
LIST CONTINUES ON NEXT PAGE		

TREE PROTECTION FENCING - SCAFFOLDING TUBE - INSTALL GUIDE			
Weight	N/A	Serial Number	Revision
Date	19/10/2023	TF615520 -	
Drawn by	JT	INSTALL B	
Checked by	Checker	Scale	@A3

ANTI-CLIMB MESH FENCE PANEL
(TF2504)



ANTI-CLIMB MESH FENCE
PANELS SECURED TO
SCAFFOLDING TUBE USING
HEAVY DUTY CABLE TIES



HEAVY DUTY CABLE TIES
(MP2299)

GRIPPER COUPLER
(A105529)

GROUND LINE

General Comments

See Our Associated Products:

- [Tree Protection Fencing -](#)
- [Heras & Stabiliser](#)
- [Anti-Climb Mesh Fence Panel](#)
- [Rapid Deployment Fencing](#)
- [Temporary Swing Gate](#)

Materials

Galvanised Steel



No.	Description	Date

Item	Component Description	Quantity
RM TF00029	G3.2MM - Ø48.3MM X 1524MM DIAGONAL SCAFFOLD TUBE - 5FT	3
TF2504	ANTI-CLIMB MESH FENCE PANEL	2
A105529	GRIPPER COUPLER	2
MP2299	HEAVY DUTY CABLE TIES - PACK OF 100	1
	END OF LIST	

TREE PROTECTION FENCING - SCAFFOLDING TUBE - INSTALL GUIDE			
Weight	N/A	Serial Number	Revision
Date	19/10/2023	TF615520 -	
Drawn by	JT	INSTALL C	
Checked by	Checker	Scale	@A3