

General Comments

See Our Associated Accessories:

[Standard Driving Cap](#)

[Trench Sheet Extractors](#)

[Pitching Shackles](#)

See Our Associated Products:

[Trench Sheets - FLP 600/3.5](#)

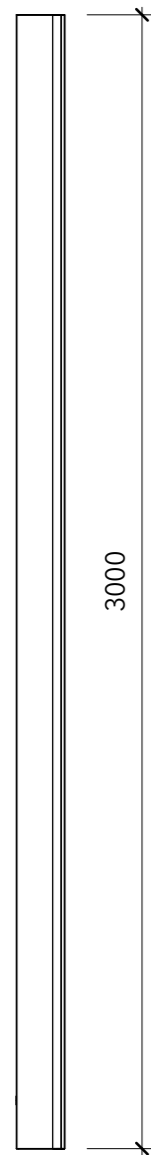
[Trench Sheets - Standard Lap](#)

[Trench Sheets - KKD 600/6](#)

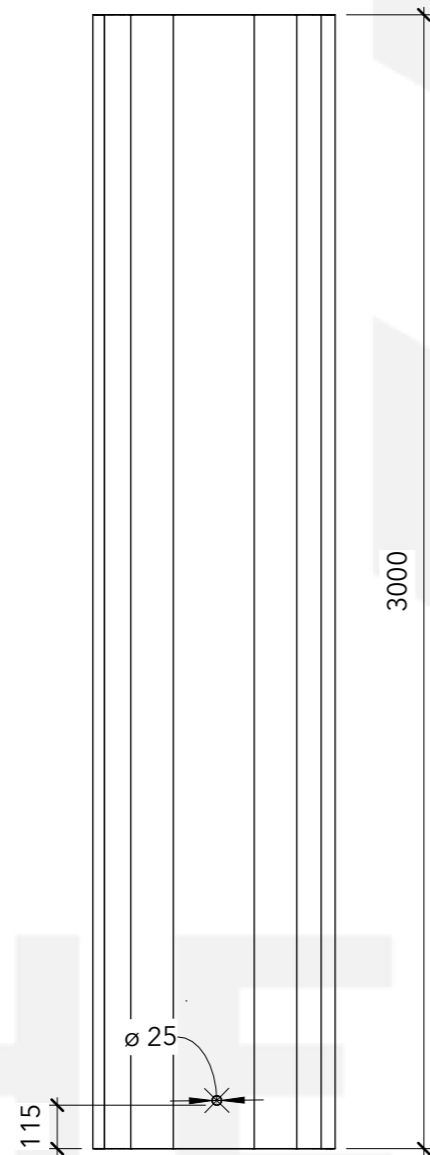
[Sheet Piles - FKD 400/6 - KD4](#)

Materials

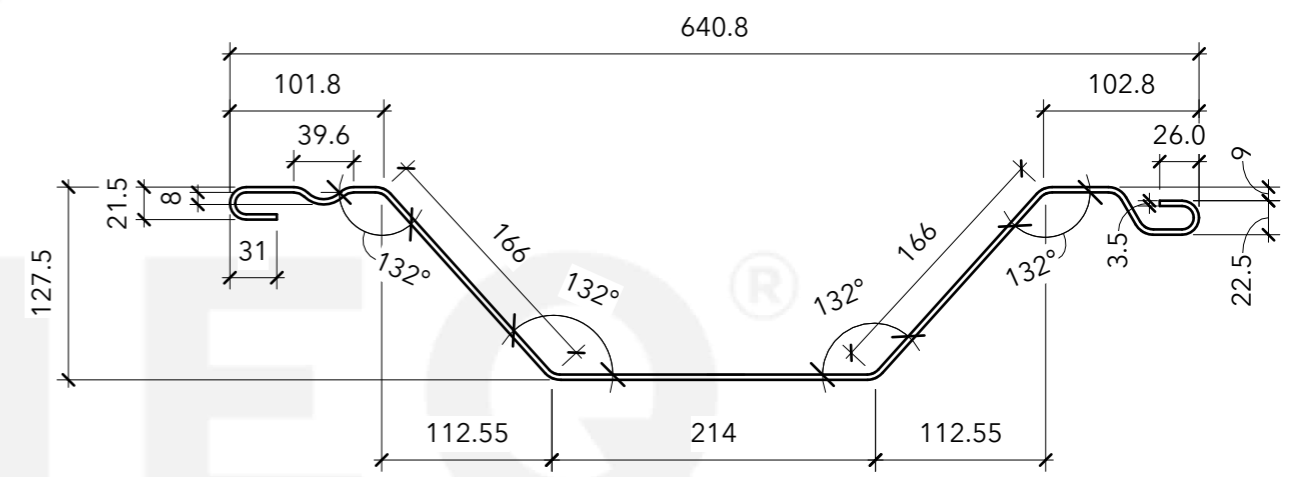
Mild Steel - Grade S275



SCALE 1:20



SCALE 1:20



SCALE 1:5



No.	Description	Date	Item	Component Description	Quantity

TRENCH SHEET - FLP 600/3.5 3000MM			
Weight	69.3KG	Serial Number	Revision
Date	13/11/2023	TR1764	
Drawn by	JT		
Checked by	Checker	Scale	As indicated @A3