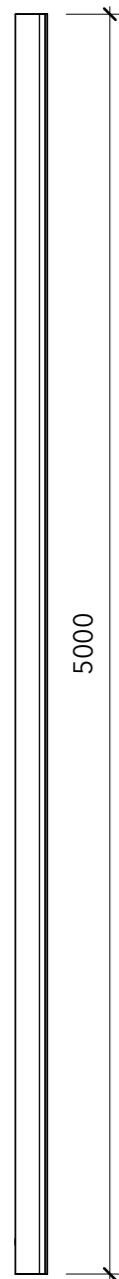


**General Comments**

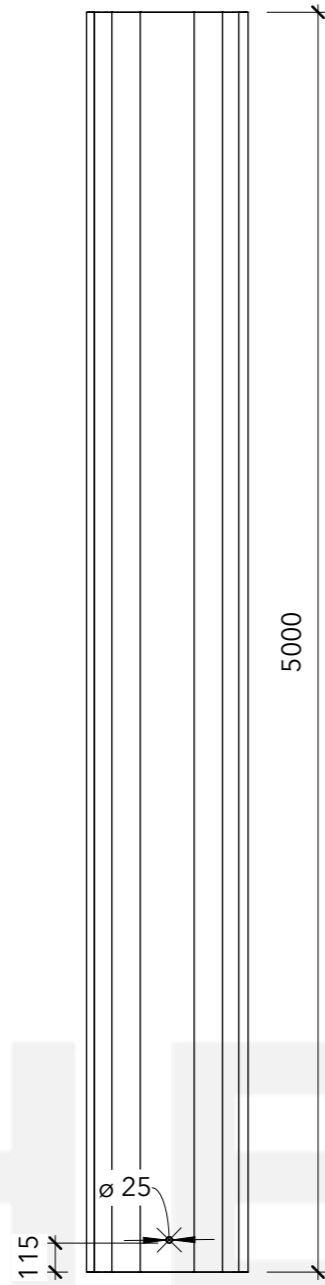
See Our Associated Accessories:  
[Standard Driving Cap](#)  
[Trench Sheet Extractors](#)  
[Pitching Shackles](#)  
 See Our Associated Products:  
[Trench Sheets - FLP 600/3.5](#)  
[Trench Sheets - Standard Lap](#)  
[Trench Sheets - KKD 600/6](#)  
[Sheet Piles - FKD 400/6 - KD4](#)

**Materials**

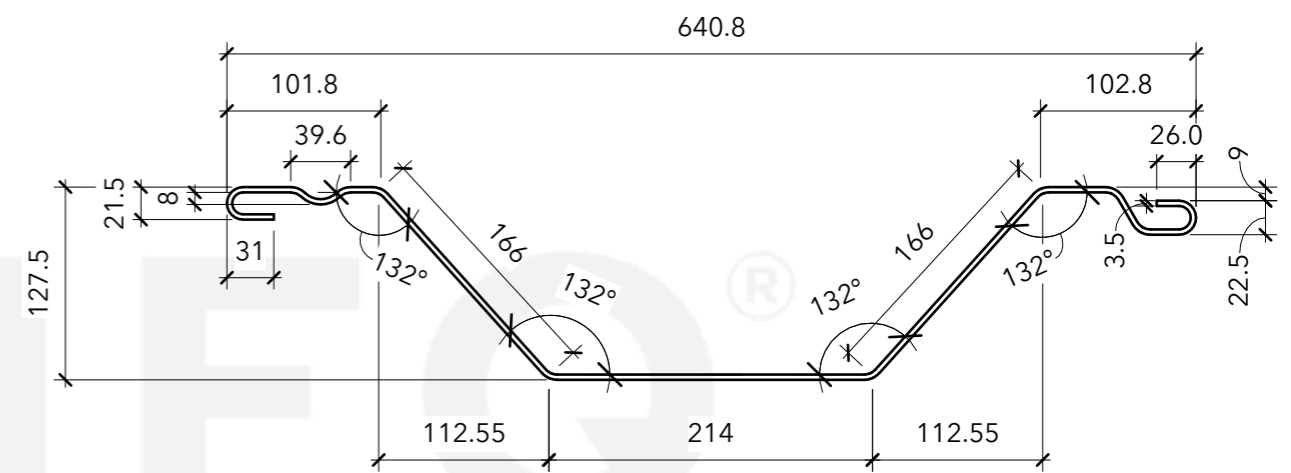
Mild Steel - Grade S275



SCALE 1:30



SCALE 1:30



SCALE 1:5



No.	Description	Date

Item	Component Description	Quantity

TRENCH SHEET - FLP 600/3.5 5000MM		
Weight	115.5KG	Serial Number
Date	13/11/2023	TR1766
Drawn by	JT	
Checked by	Checker	Scale
		Revision
		As indicated @A3